

Protected by US Patent 7,040,723
Other Patents Pending

Full Service Vertical Protector

- Cafeteria Counters
- Cooking Stations
- Carving Stations

FINISH:

- Brushed Stainless Steel
 - Clear Anodized Aluminum
 - Powder Coat:
 - Black Silver
- RAL # _____

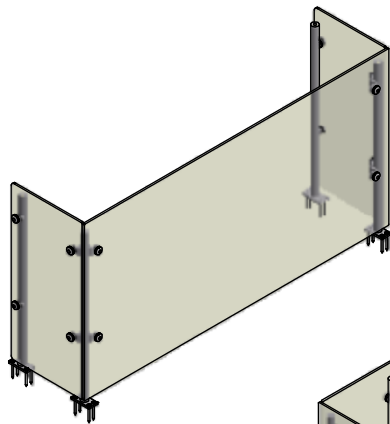
GLASS:

- 1/4" Clr Temp - Std
- Frosted

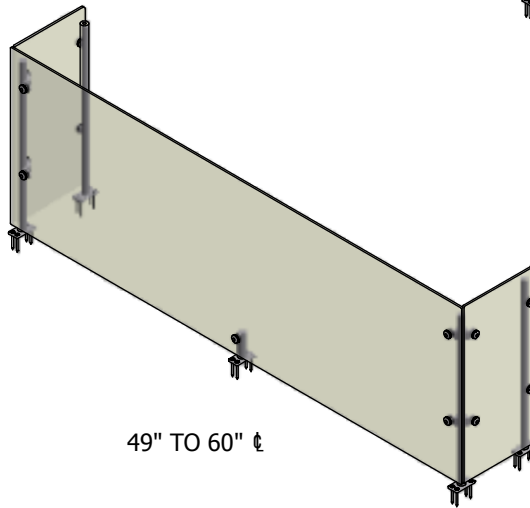
OPTIONS(*):

- End Panel - LT
- End Panel - RT
- Shelf Kit

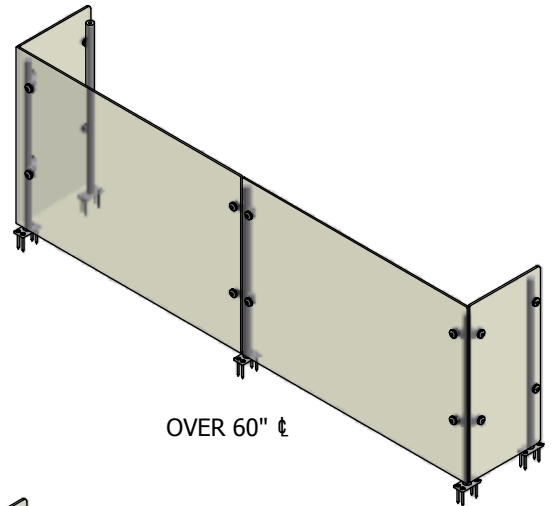
(*) Not all options available on all models
Contact factory for specific information
For Mounting Options see Mounting Hardware Guide



UP TO 48" \updownarrow

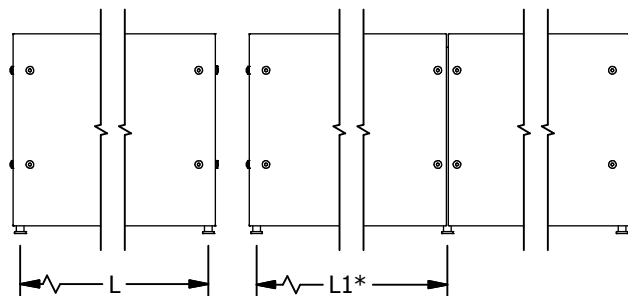


49" TO 60" \updownarrow

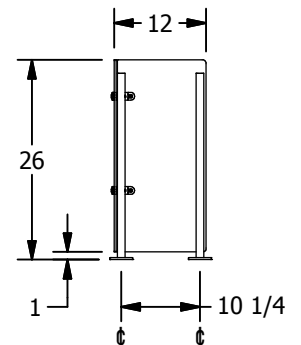


OVER 60" \updownarrow

End panels are 1/4" clear tempered glass unless otherwise specified.



-Centerline Dimensions -
L / L1 - 60" Max (1/4" Glass)



(* - Middle support is centered unless L1 dimension is specified)