

## Convertible Protector w/ Shelf

### FINISH:

- Brushed Stainless Steel
- Clear Anodized Aluminum
- Powder Coat:
  - Black     Silver
- RAL # \_\_\_\_\_

### GLASS:

- 1/4" Front - Std
- 3/8" Top - Std
- 1/2" Top
- Frosted

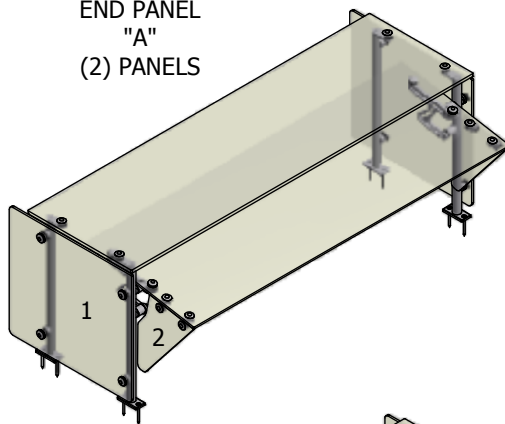
### OPTIONS(\*):

- End Panel - LT
- End Panel - RT
- Light Fixture
- Warmer
- Shelf Kit

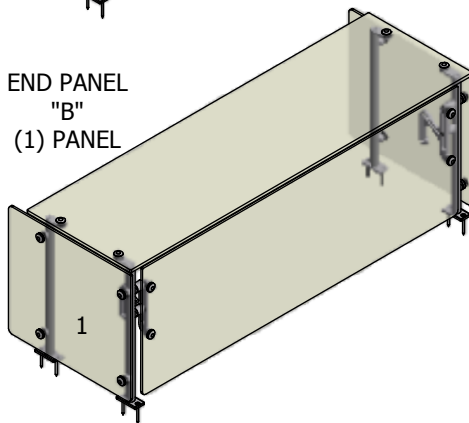
### End Panel Style Option:

- For Convertible (Service to Self-Service) option choose End panel "A" (2 Panels)
- For Service Protector option choose End Panel "B" (1 Panel)

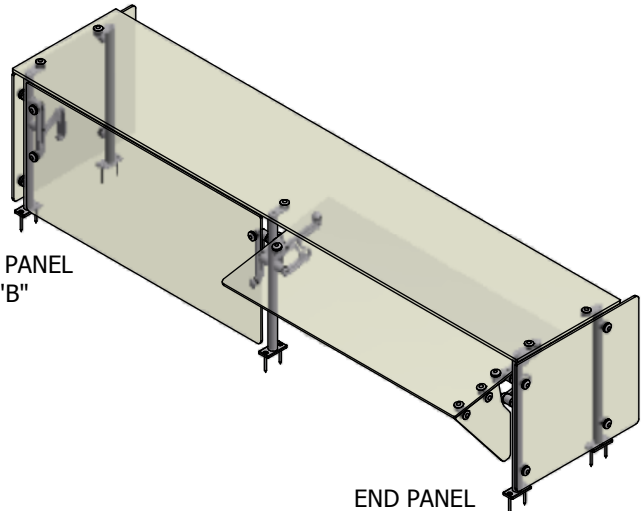
END PANEL "A"  
(2) PANELS



END PANEL "B"  
(1) PANEL



END PANEL "B"

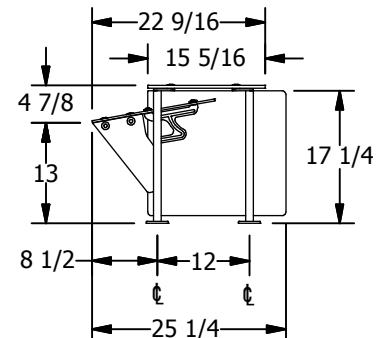
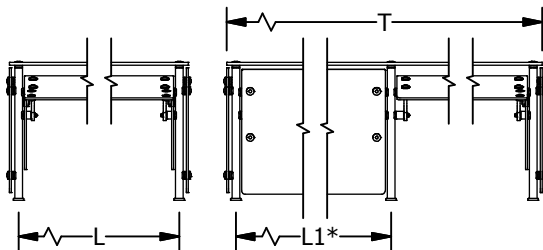


END PANEL "A"

End panels are 1/4" clear tempered glass unless otherwise specified.

- Centerline Dimensions -  
L / L1 - 51 3/4" Max (1/4" Glass Front)

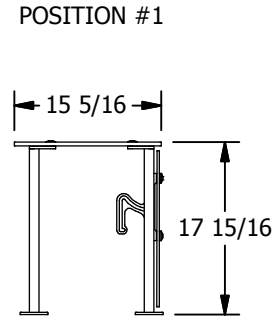
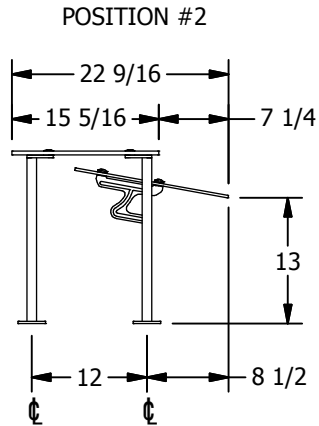
T = Top Panel in One Piece  
T = 108" Max



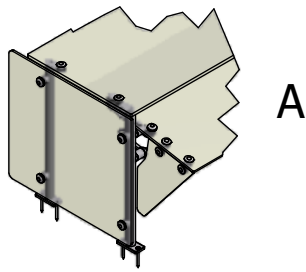
(\* - Middle support is centered unless L1 dimension is specified)

Convertible Protector w/ Shelf

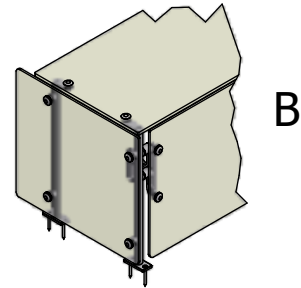
**GLASS POSITIONS**



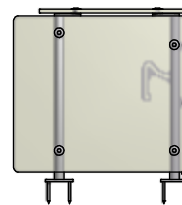
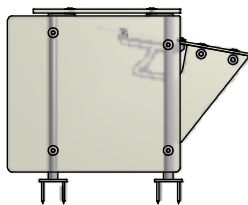
**END PANEL OPTIONS**



ADJUSTABLE PANEL



FIXED PANEL



\*A - For Convertible (Service to Self-Service) option

\*B - For Service Protector option

Convertible Protector w/ Shelf

