

LED Lighting System

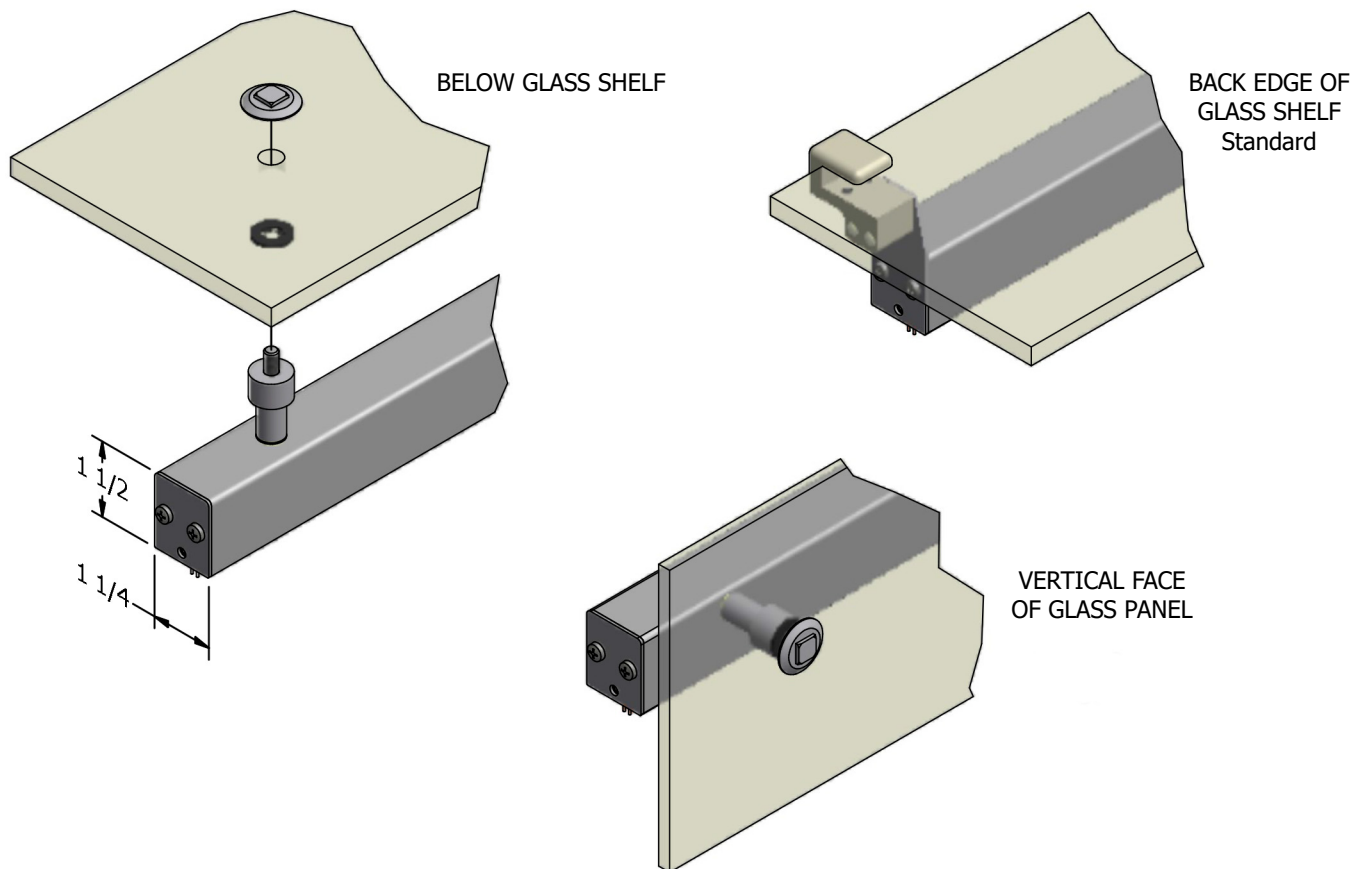
VERSA-GARD®

Lamp Information

LED - 5.0W/ft - up to 407 Lumens/ft

- 2 Wire operation
- Safe low voltage 12V DC operation
- 3500K Neutral white color temperature
- 84.0 CRI - Wide 120° light beam
- Supplied with remote class II direct wire power supply and remote switch
- Rated 50,000 hours
- 120 VAC, 60 Hz, Single-Phase input
- 2 year warranty
- Supplied in 1-1/4" w X 1-1/2" h aluminum housing

Fixture Attachments



WWW.VERSA-GARD.COM

1094 Parkway Industrial Park Drive
Buford, GA 30518
678-730-4155 office
info@versa-gard.com

LED Lighting System

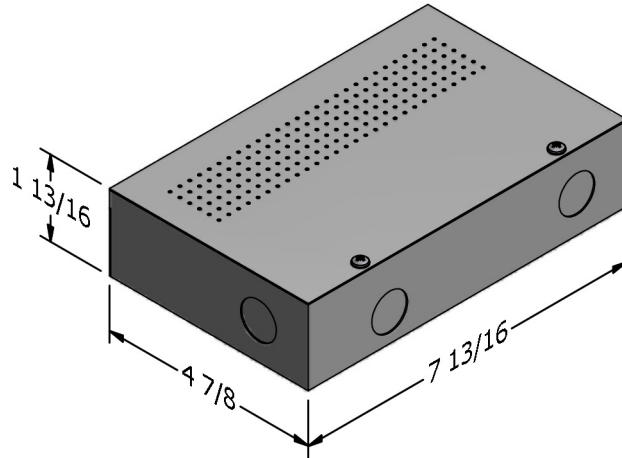
VERSA-GARD®

LED Driver Enclosure

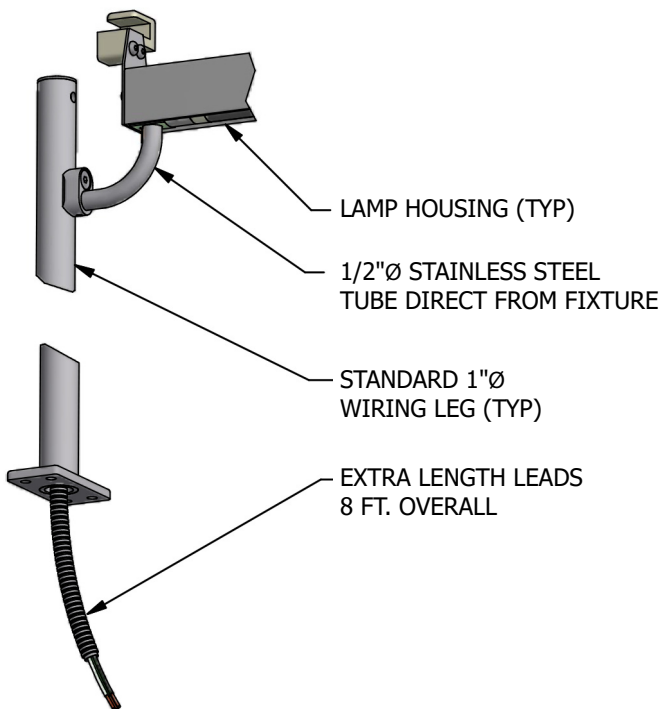
All installations require a remote-mounted power supply enclosure. Toggle Switch supplied with box for remote installation by certified electrician.

Wiring Notes:

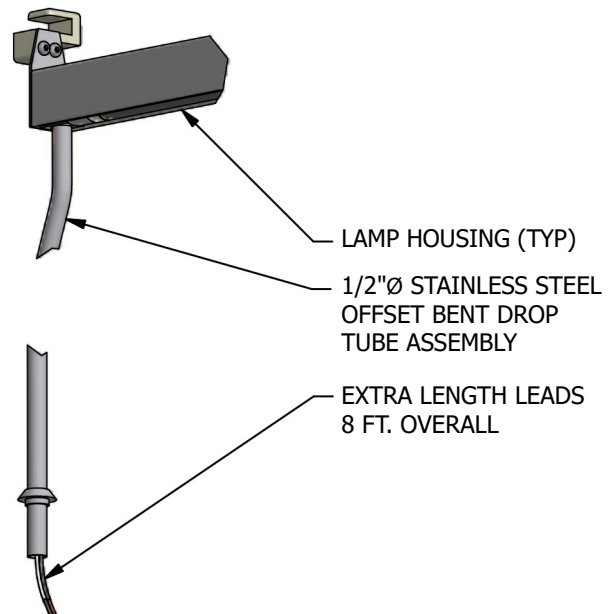
Examples shown are typical styles provided. Actual method will depend on design constraints, which are unique to each application.



Typical Lamp Wiring through Protector Leg



Typical Lamp Wiring with Offset Drop Tube



WWW.VERSA-GARD.COM

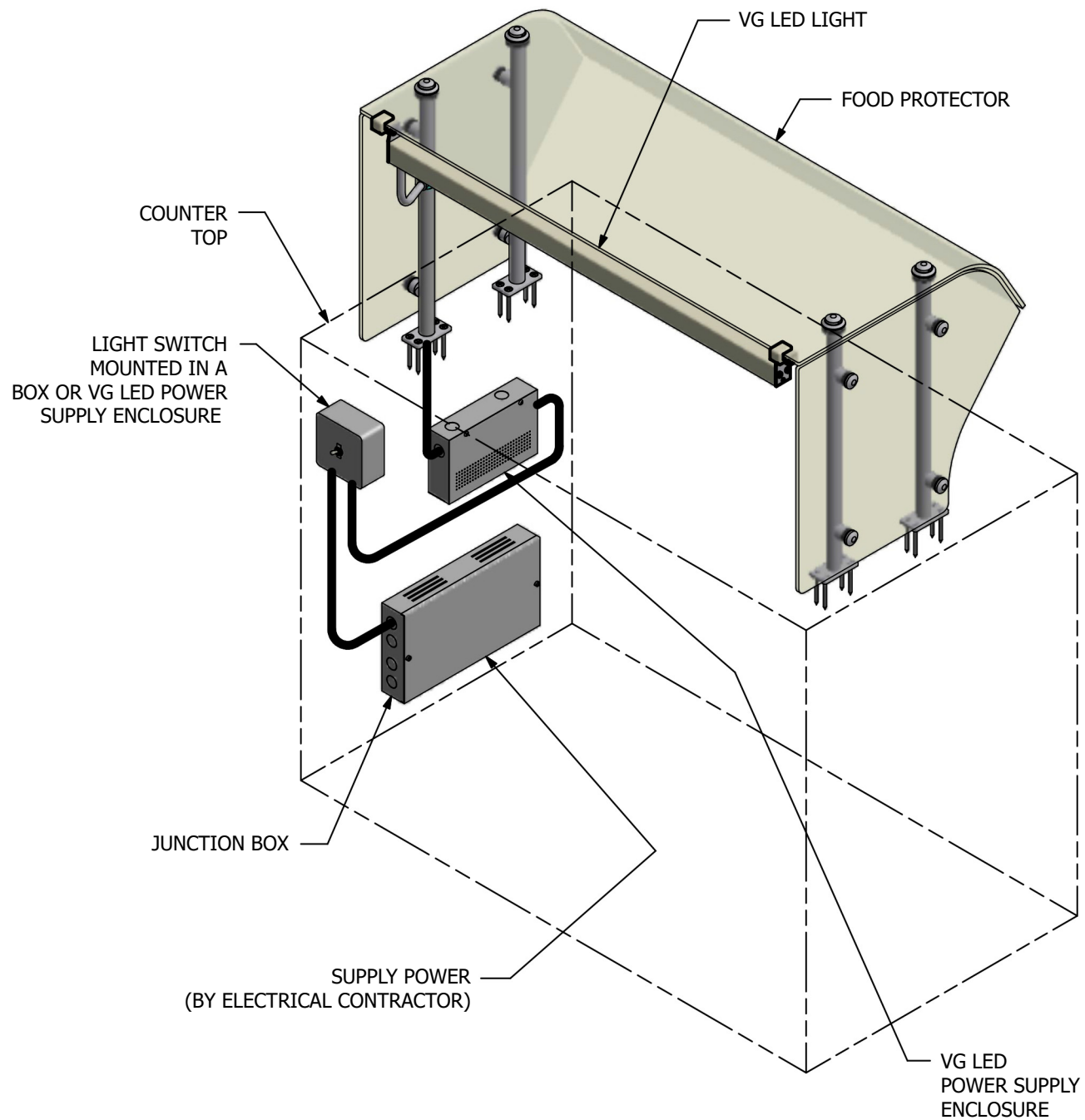
1094 Parkway Industrial Park Drive
Buford, GA 30518
678-730-4155 office
info@versa-gard.com

LED Lighting System

VERSA-GARD®

Power Supply / Enclosure / Switch

Typical LED Wiring Installation



WWW.VERSA-GARD.COM

1094 Parkway Industrial Park Drive
Buford, GA 30518
678-730-4155 office
info@versa-gard.com