

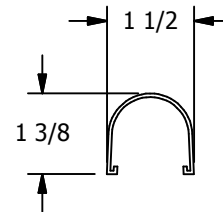
# Lighting Options

## Lamp Types:

## Fixture Styles:

T8 Trichrome Fluorescent

- Provides excellent color rendering (85 CRI) as well as maximum efficiency
- Energy saving magnetic & electronic ballasts
- Maximum lamp length with integral ballast is 60" (70" fixture), else (2) ballasts, switches required
- Minimum length with integral ballast is 28"



Integral Ballast & Switch

1085

Remote Ballast & Switch (Standard)

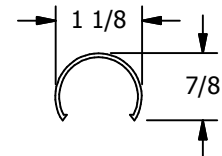
Warm (3000K)

Neutral (3500K)

Cool (4100K) (Std.)

T5 Compact Fluorescent

- Higher efficiency and better lumens with 82 CRI
- Remote ballast and switch only



Warm (3000K)

Neutral (3500K)

Cool (4100K) (Std.)

5010

LED - (4W/ft) \*up to 300 Lumens/ft

- Proprietary LED board design for uniform power and full lifespan
- 2 wire operation - safe low voltage 24V DC operation
- Built in surge / transient protection
- Reverse voltage protection - prevents damage from incorrect installation
- Remote power supply and switch only
- 5 year warranty
- 98% efficiency
- Rated 100,000 hours



1085

Warm (3000K)

White (3500K) (Std.)

Cool White (4000K)

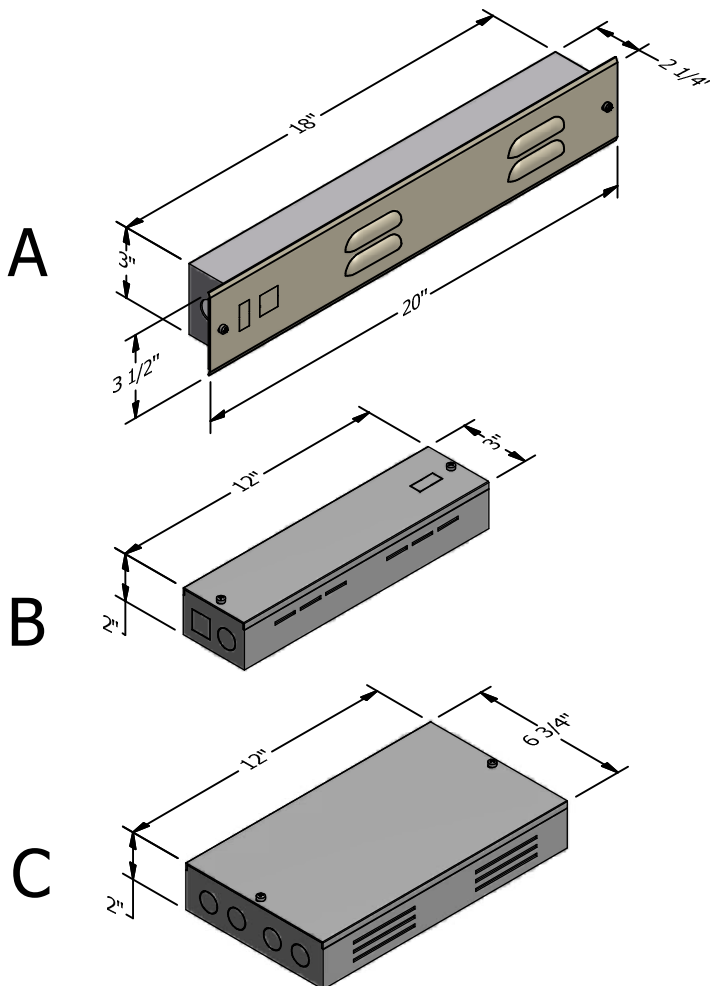
LAMP TYPE	WATTS / FT	LUMENS / FT	HOUSING STYLE	MINIMUM LENGTH	MAXIMUM LENGTH
T8	16 W / FT	375 - 400	1085	17"	96"
T5	12 W / FT	375 - 400	5010	12"	96"
LED	4 W / FT	300	1085	12"	96"

# Power Supply / Ballast / Switch

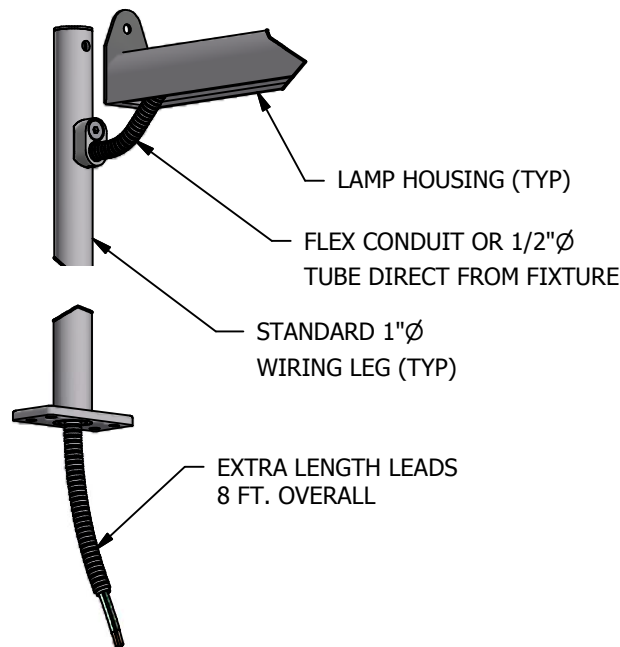


All installations require a power supply / ballast box - remote mounted.  
Toggle Switch supplied with box for installation by certified electrician.

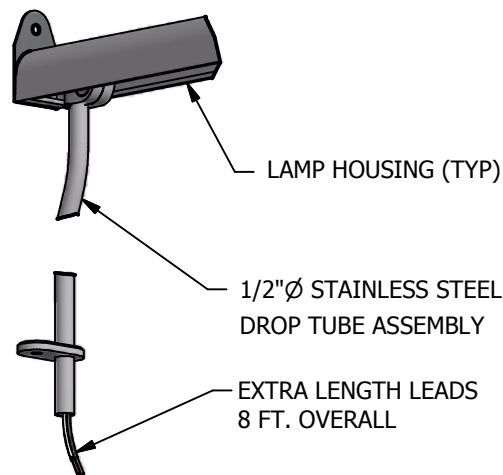
## Ballast and Driver Enclosures



### TYPICAL LAMP WIRING THROUGH PROTECTOR LEG



### TYPICAL LAMP WIRING WITH OFFSET DROP TUBE



- BOX A - Used with all non-LED fixtures
- BOX B - Used with all LED fixtures with runs up to 20 feet
- BOX C - Used with all LED fixtures with runs exceeding 20 feet

**WIRING NOTE:**

EXAMPLES SHOWN ARE TYPICAL STYLES PROVIDED. ACTUAL METHOD WILL DEPEND ON DESIGN CONSTRAINTS, WHICH ARE UNIQUE TO EACH APPLICATION.