

MOUNTING SPECIFICATIONS

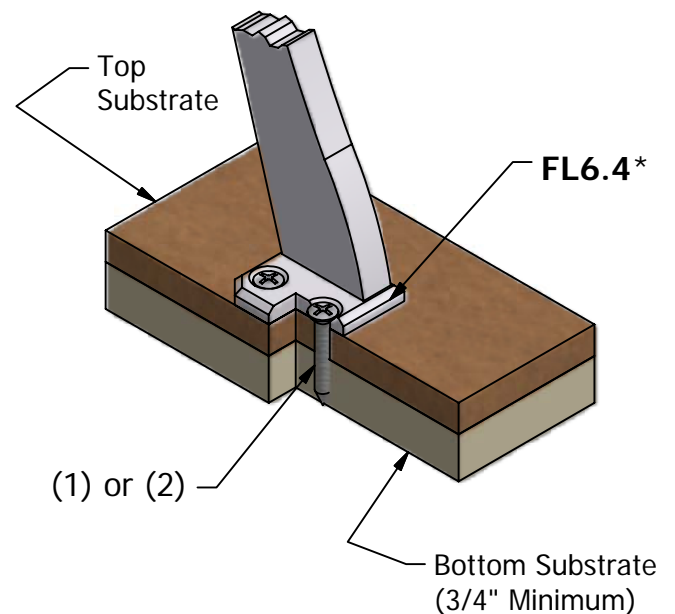
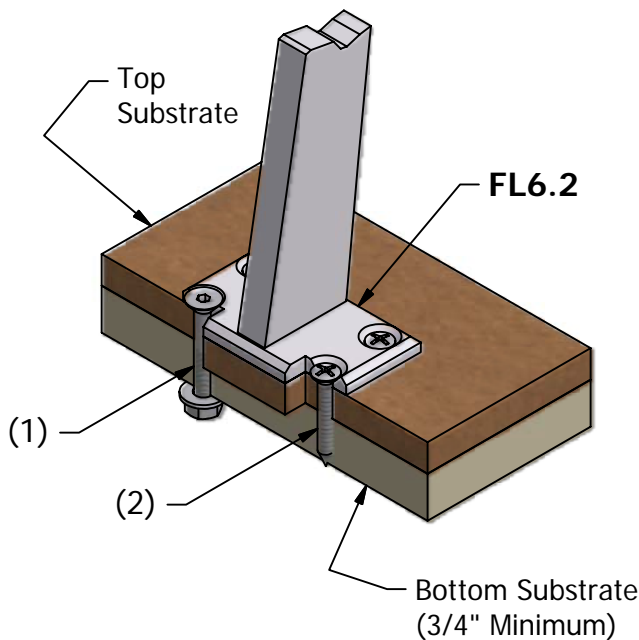
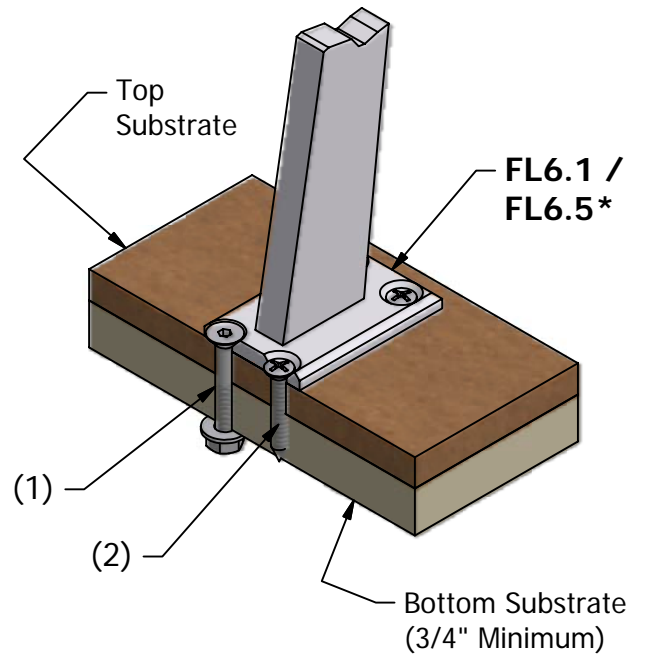
SURFACE MOUNT HARDWARE FL6.1 / FL6.5* FL6.2 FL6.4*

APPLICATIONS:

- Solid Surface Material - Corian, Avonite, Etc.
- Granite, Stone or Similar Materials
- Laminated Countertops

FASTENER OPTIONS:

- (1) - 1/4"-20 Flat Head Socket Screws
With Flat Washer and Hex Nut
- (2) - Type A Thread Forming Screws
#12 or #14 x 1-1/2" or 2" Long



* FL6.4 For Use With End Panel Supports Only
FL6.5 For Use With VGG1 Support Frame Only

MOUNTING SPECIFICATIONS

SURFACE MOUNT HARDWARE FL6.1 / FL6.5* FL6.2 FL6.4*

APPLICATIONS:

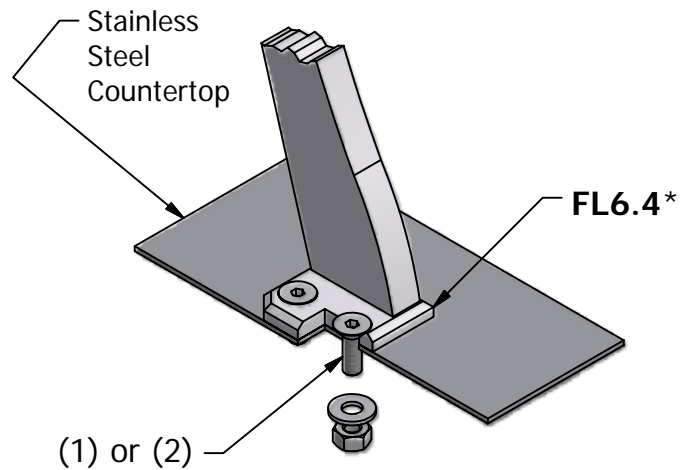
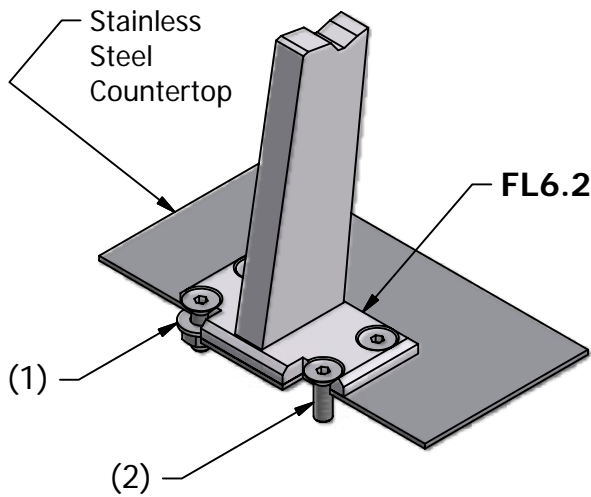
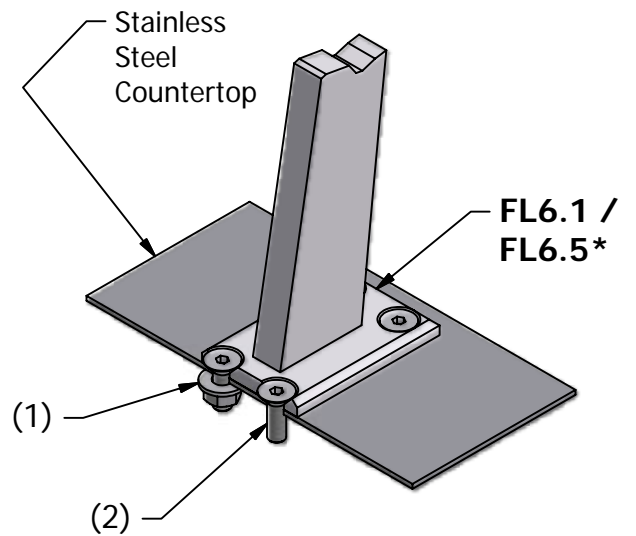
- Stainless Steel Countertops

Stainless Steel Counters Will Require Bracing Below The Surface To Support The Weight Of Equipment Below.

Ensure That Support Frames Are Located Near Bracing.

FASTENER OPTIONS:

- (1) - 1/4"-28 Flat Head Socket Screws With Flat Washer and Hex Nut
- (2) - 1/4"-28 Drilled and Tapped Holes in Countertop with 1/4"-28 Flat Head Socket Screws



* FL6.4 For Use With End Panel Supports Only
FL6.5 For Use With VGG1 Support Frame Only

MOUNTING SPECIFICATIONS

CONCEALED MOUNT HARDWARE

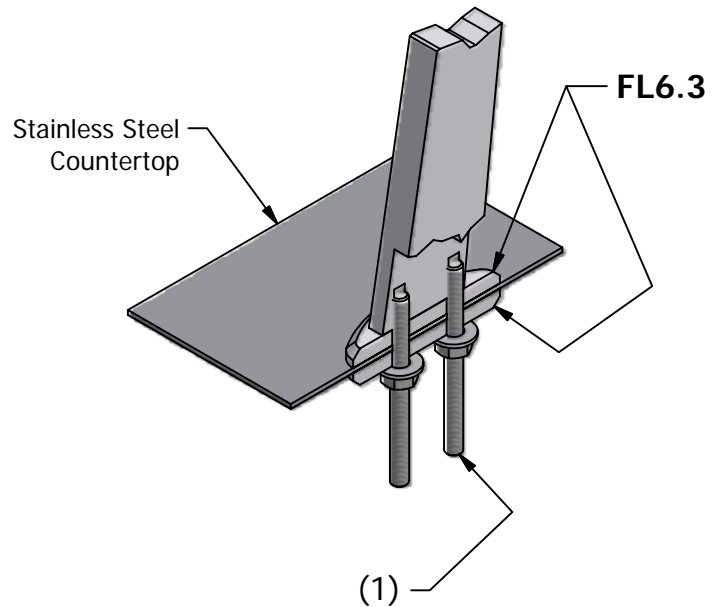
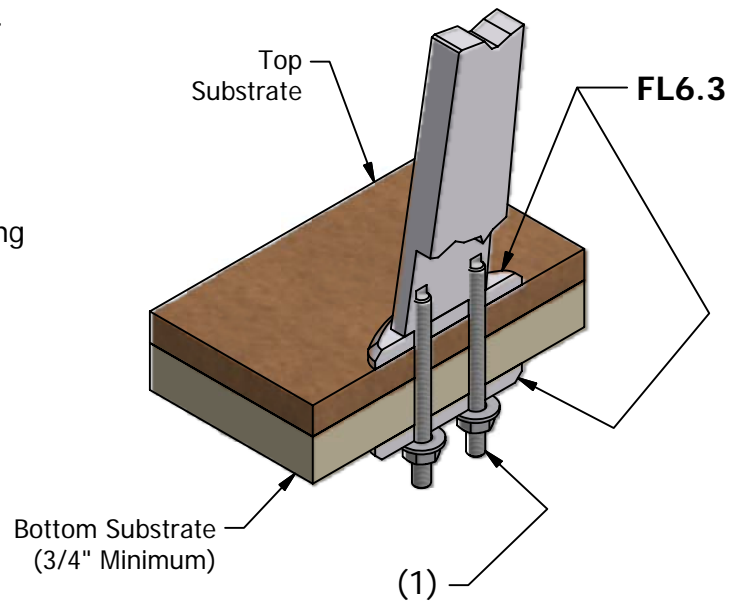
FL6.3

APPLICATIONS:

- Solid Surface Material - Corian, Avonite, Etc.
- Granite, Stone or Similar Materials
- Laminated Countertops
- Stainless Steel Countertops

Stainless Steel Counters Will Require Bracing Below The Surface To Support The Weight Of Equipment Below.

Ensure That Support Frames Are Located Near Bracing.



FASTENER OPTIONS:

- (1) - 1/4"-20 Studs With Flat Washer and Hex Nut

Can Only Be Used IF There Is Access To Mounting Location From Below Counter.