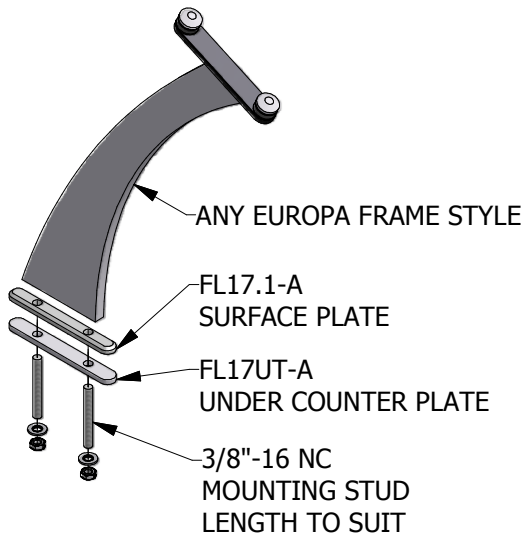
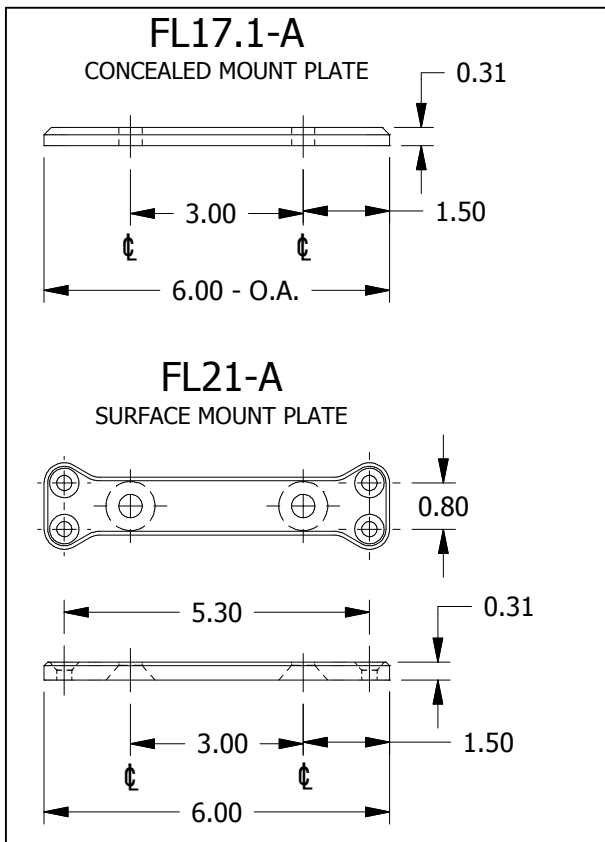
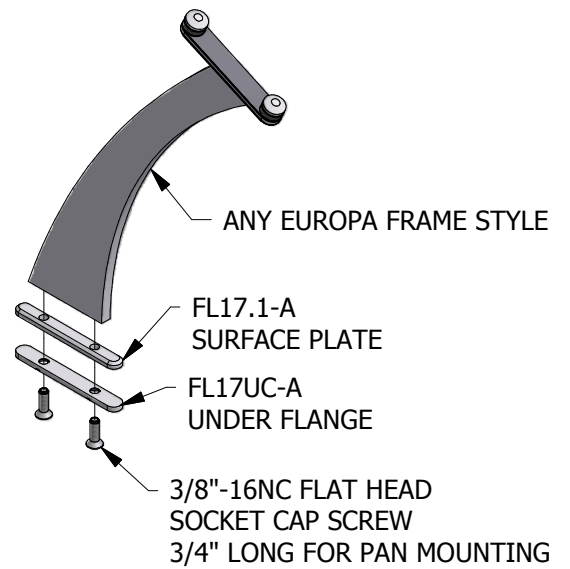


CONCEALED MOUNT

A TO COUNTERTOP



B TO DROP-IN FLANGE



SURFACE MOUNT



