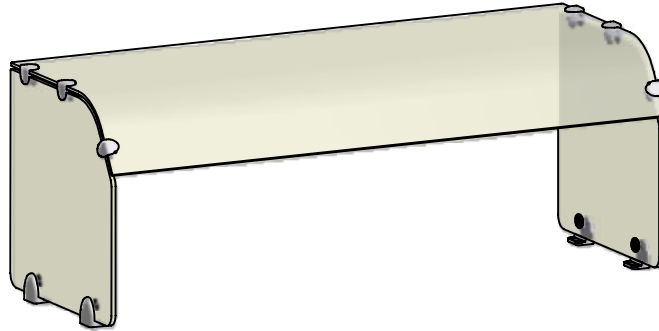




by VERSA-GARD<sup>®</sup>

Model: **VGCP7C**



1 - Section Unit  
Up to 92" O.A. length max.

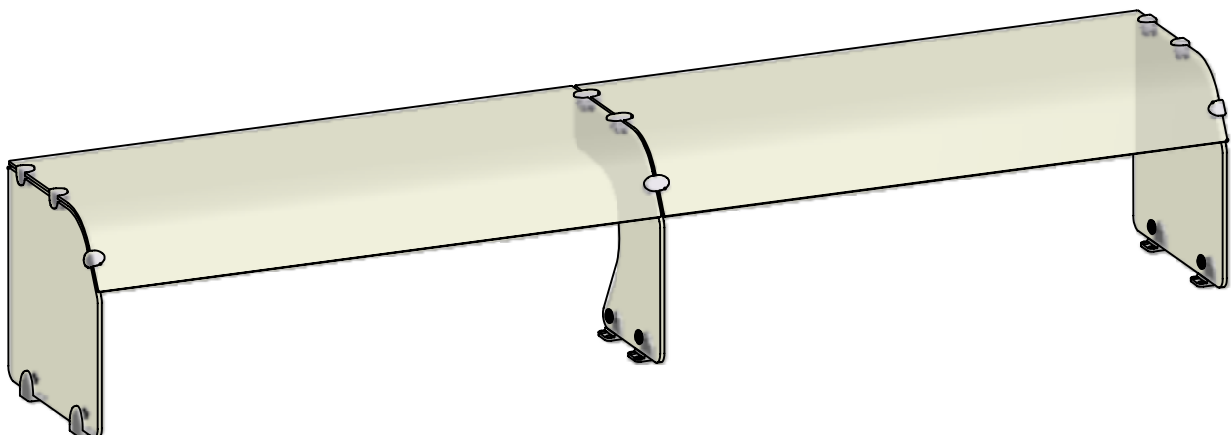
(Patent Pending)

### SPECIFICATIONS:

Self service food protector. All component hardware CNC machined in 6061-T6 aluminum to  $\pm .002"$ . End glass panels are 3/8" clear tempered and front panels are 1/4" clear bent tempered. Both meet ANSI Z97.1 specifications for safety performance and ASTM C1048-04 specifications for heat treated glass. All hardware supplied in a satin clear anodized aluminum finish unless otherwise specified. All glass with ground and polished edges.

### ACCESSORIES:

- |   |  |  |
|---|--|--|
| <input type="checkbox"/> T8 Fluorescent Light | <input type="checkbox"/> Xenon Light               | <input type="checkbox"/> Hatco GRAH Foodwarmer           |
| <input type="checkbox"/> T5 Fluorescent Light | <input type="checkbox"/> Marsal Halogen Foodwarmer | <input type="checkbox"/> Hatco GRAHL Foodwarmer w/ Light |
| <input type="checkbox"/> Halogen Light        | <input type="checkbox"/> Hatco GRN Foodwarmer      | <input type="checkbox"/> Hatco Halogen Foodwarmer        |



2 - Section Unit  
Up to 184" O.A. length, (2) 92" sections max.





by **VERSA-GARD**

Model: **VGCP7C**

Item No: \_\_\_\_\_

Qty: \_\_\_\_\_

Length (O.A.): \_\_\_\_\_

**FINISH:**

- Clear Anodized Aluminum
- Anodized Aluminum Custom Color  
( Contact Factory )

**GLASS:**

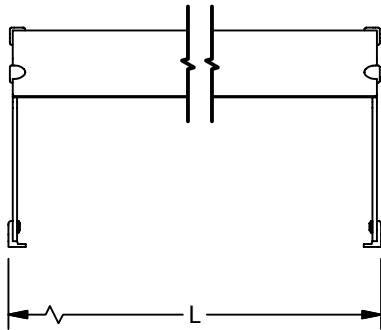
Options

- Frosted
- Anti - Reflective
- Starfire® - Clear

**MOUNT:**

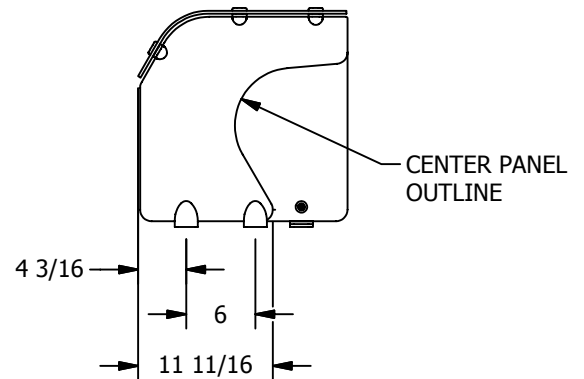
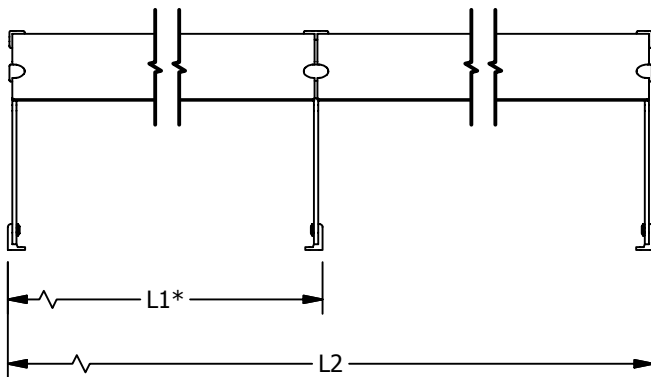
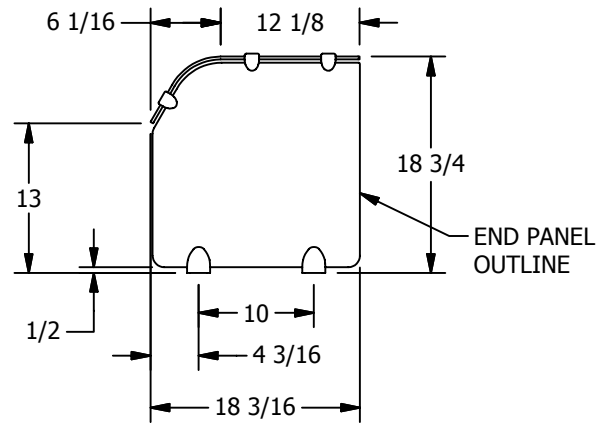
- Conceal Mount
- Surface Mount

(Patent Pending)



- Overall Dimensions -

L / L1 - 92" Max  
L2 - 184" Max



( \* - Middle support glass panel is centered unless L1 dimension is specified )

**NSF/ANSI 2 Applicable Codes:**

**5.35.7 Self service food shields**

- 5.35.7.1** Maximum vertical distance between counter top and bottom leading edge of shield shall be 13 inches
- 5.35.7.2** Minimum horizontal distance between the front inside edge of food and bottom leading edge of shield shall be 3/4 of the Max. vertical distance of 5.35.7.1 (.75 x 13" = 9.75")
- 5.35.7.3** The sum of a shield's projected vertical plane (Y) and projected horizontal plane (X) shall be greater than or equal to 20 inches. Either (X) or (Y) may equal 0.
- 5.35.7.5** Maximum horizontal distance between vertical, horizontal, and angled panels at post and framing member shall be 2 inches.
- 5.35.7.10** Food shields for use on mobile buffet counters shall conform to 5.35.7

**5.35.6** A vertical barrier (end shield) shall be provided at each end of a foodshield. The vertical barrier shall be a minimum of 18 inches deep (front to back) beginning at the bottom leading edge of the foodshield. The minimum height of the vertical barrier shall be equal to the overall height of the foodshield. The maximum distance from the bottom edge of the vertical barrier shall be 1.5 inches.

**5.35.6.1** A foodshield intended to be installed a maximum of 3" (76mm) from a building wall perpendicular to the foodshield is exempt from the requirements of 5.35.6 provided that the height of the building wall is not lower than the overall height of the foodshield.

