

SPECIFICATIONS:

Curved Front Adjustable Self-Service Food Protector.

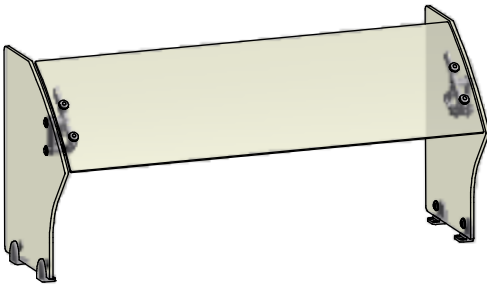
All component hardware CNC machined in 6061-T6 aluminum to ± .005".

All glass front panels are 1/4" clear bent tempered with ground & polished edges and meet ANSI Z97.1

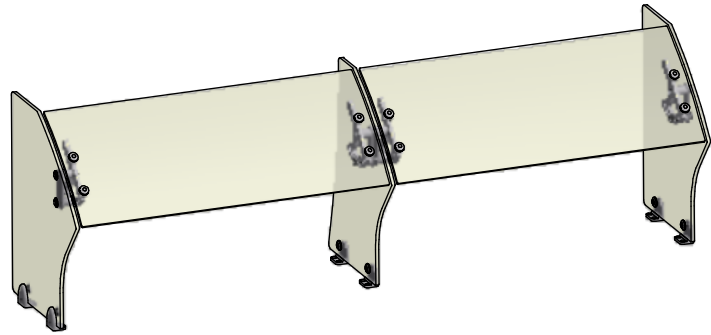
All glass end panels are 3/8" clear tempered with ground & polished edges and meet ANSI Z97.1

specifications for safety performance and ASTM C1048-04 specifications for heat treated glass.

All hardware supplied in a satin clear anodized aluminum finish.



1 - Section Unit
Up to 92" O.A. length max.



2 - Section Unit *
Up to 184" O.A. length, (2) 92" sections max.

* Can Be Configured In Multiple Sections

FINISH:

- Clear Anodized Aluminum (std.)
- Anodized Aluminum Custom Color
- _____ (Contact Factory)

GLASS:

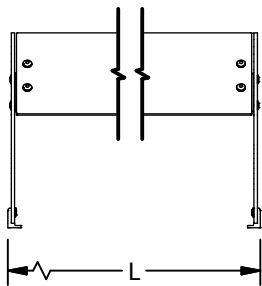
- Clear (std.)
- Frosted

OPTIONS:

- VG 12V LED Light
- Hatco Strip Warmer
- Model # _____

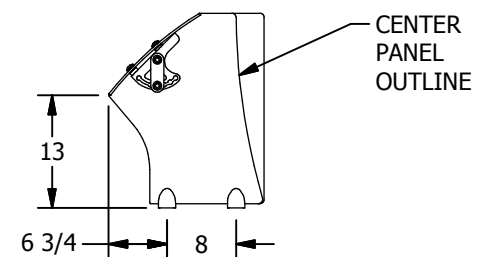
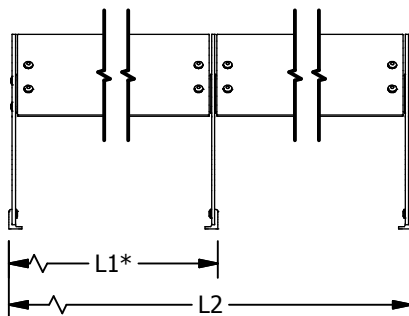
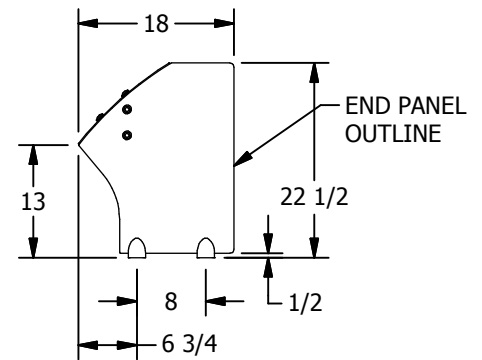
MOUNT:

- Conceal Mount
- Surface Mount

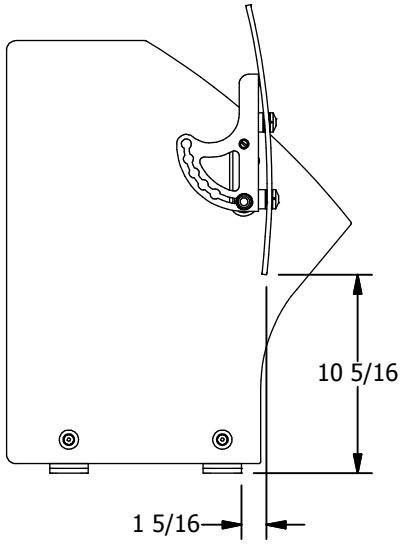


- Overall Dimensions -

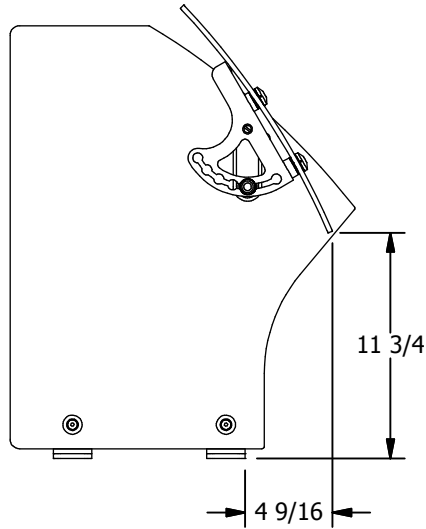
L / L1 - 92" Max
L2 - 184" Max



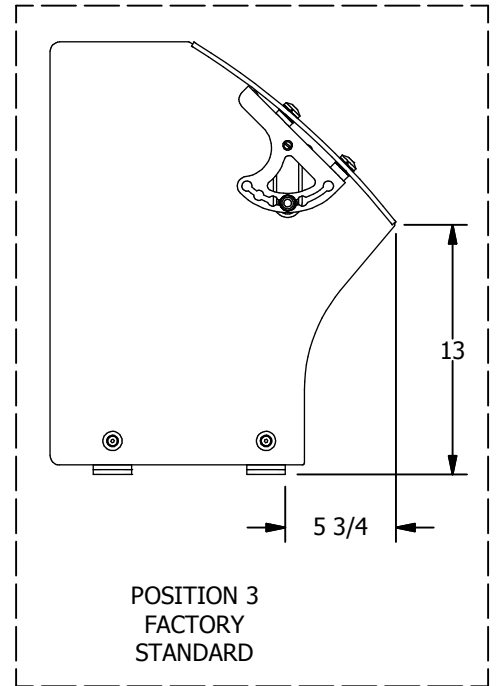
POSITIONS:



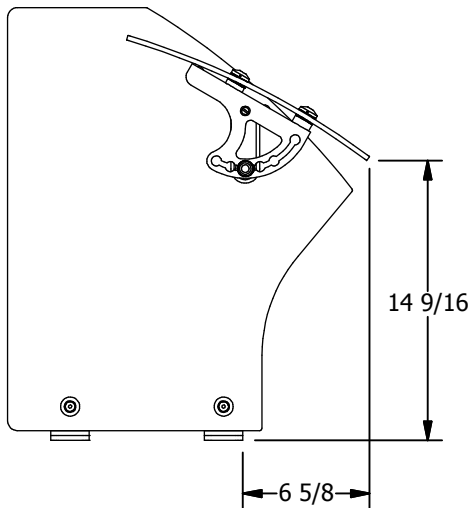
POSITION 1



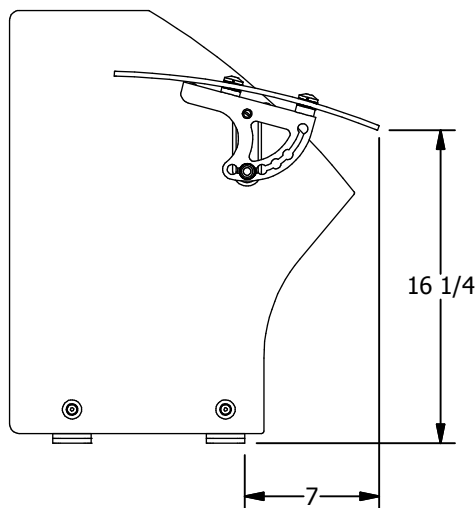
POSITION 2



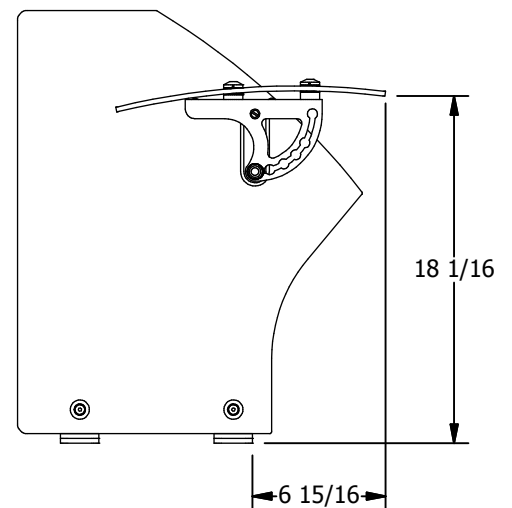
POSITION 3
FACTORY
STANDARD



POSITION 4



POSITION 5



POSITION 6