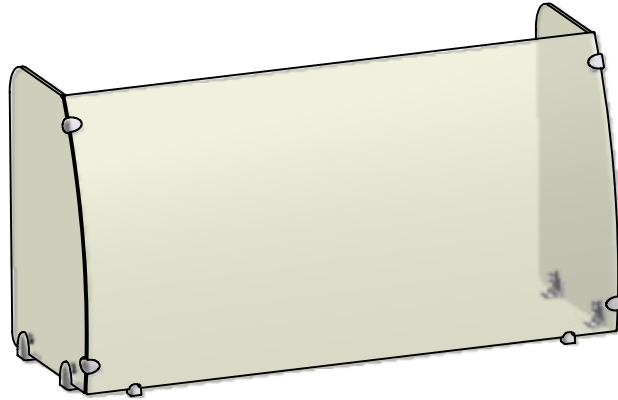




by VERSA-GARD[®]

Model: **VGCP1C**



1 - Section Unit
Up to 92" O.A. length max.

(Patent Pending)

SPECIFICATIONS:

Full service food protector. All component hardware CNC machined in 6061-T6 aluminum to $\pm .002"$. End glass panels are 3/8" clear tempered and front panels are 1/4" clear bent tempered. Both meet ANSI Z97.1 specifications for safety performance and ASTM C1048-04 specifications for heat treated glass. All hardware supplied in a satin clear anodized aluminum finish unless otherwise specified. All glass with ground and polished edges.

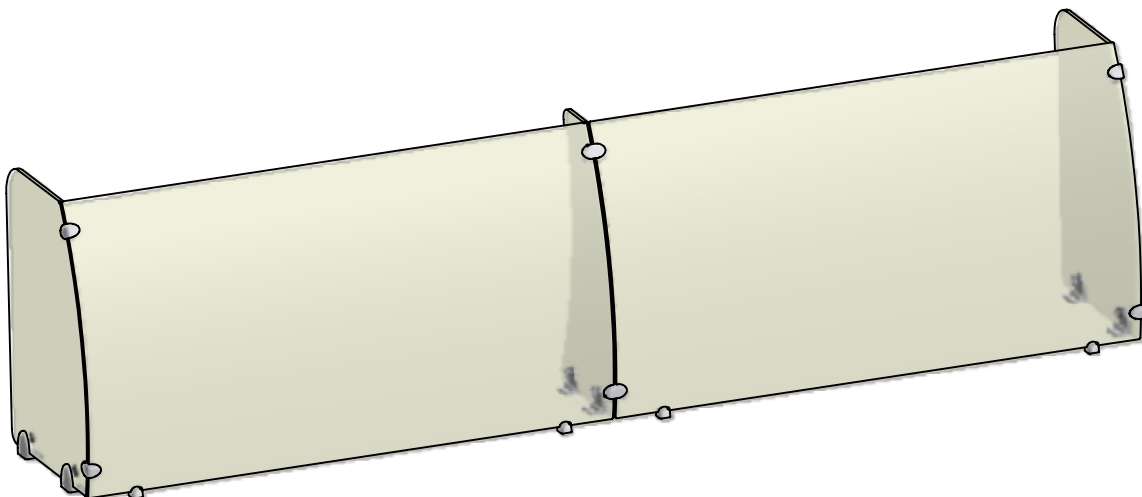
ACCESSORIES:

T8 Fluorescent Light

T5 Fluorescent Light

Halogen Light

Xenon Light



2 - Section Unit
Up to 184" O.A. length, (2) 92" sections max.





by VERSA-GARD™

Model: **VGCP1C**

Item No: _____

Qty: _____

Length (O.A.): _____

FINISH:

- Clear Anodized Aluminum
- Anodized Aluminum Custom Color
(Contact Factory)

GLASS:

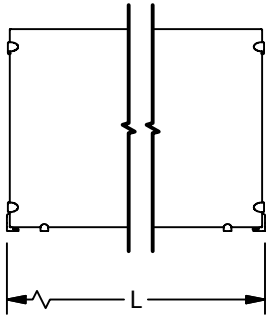
Options

- Frosted
- Anti - Reflective
- Starfire® - Clear

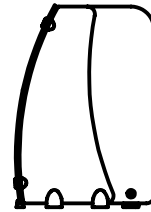
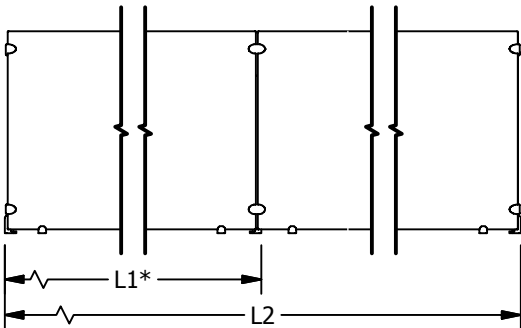
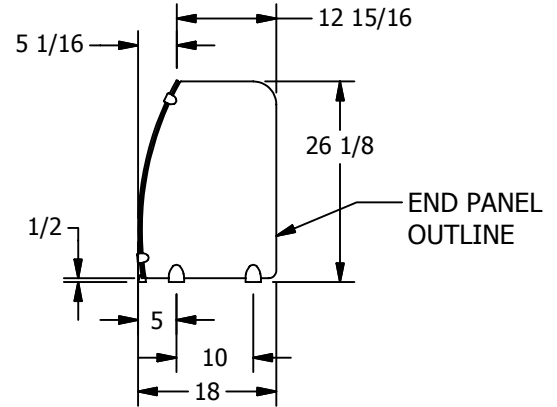
MOUNT:

- Conceal Mount
- Surface Mount

(Patent Pending)



- Overall Dimensions -
 L / L1 - 92" Max
 L2 - 184" Max



(* - Middle support glass panel is centered unless L1 dimension is specified)

NSF/ANSI 2 Applicable Codes:

- 5.35.11 Food Shields for use on cooking and/or carving station operations**
- 5.35.11.1** Shields for use on a cooking and/or carving station shall include a vertical barrier to a minimum height of 60 inches above the finished floor.
 - 5.35.11.2** Maximum vertical distance from the bottom edge of the shield and counter top shall be 6 inches
 - 5.35.11.3** Minimum horizontal distance between the front inside edge of displayed food and front (customer side) face of shield shall be 3/4 of the vertical distance (.75 x 6" = 4") of 5.35.11.2
- 5.35.12 Food Shields for use on cafeteria counters**
- 5.35.12.1** The sum of a shield's protected horizontal plane (X) and its protected vertical plane (Y) shall be greater than or equal to 32 inches. When (X) = 0, (Y) shall be a minimum of 60 inches from finished floor
 - 5.35.12.2** Maximum distance from the bottom edge of the front vertical glass and counter top shall be 1.5 inches
 - 5.35.12.3** Maximum distance between the vertical glass and horizontal glass is 3/4 inch
 - 5.35.12.4** Minimum horizontal distance between the front inside edge of displayed food and the bottom leading edge of the shield is 1.5 inches
- 5.35.6** A vertical barrier (end shield) shall be provided at each end of a foodshield. The vertical barrier shall be a minimum of 18 inches deep (front to back) beginning at the bottom leading edge of the foodshield. The minimum height of the vertical barrier shall be equal to the overall height of the foodshield. The maximum distance from the bottom edge of the vertical barrier and the counter top shall be 1.5".
- 5.35.6.1** A foodshield intended to be installed a maximum of 3" (76mm) from a building wall perpendicular to the foodshield is exempt from the requirements of 5.35.6 provided that the height of the building wall is not lower than the overall height of the foodshield.

