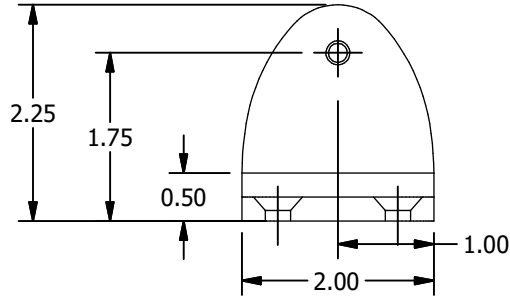
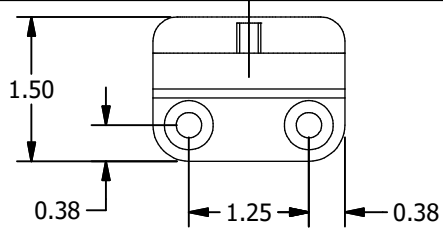
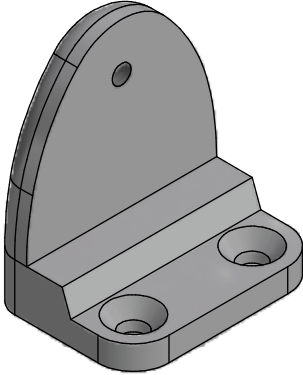
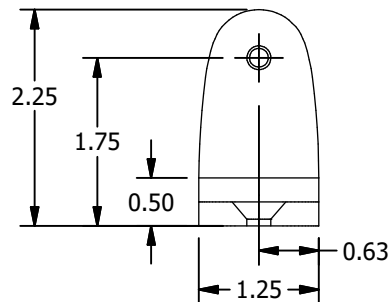
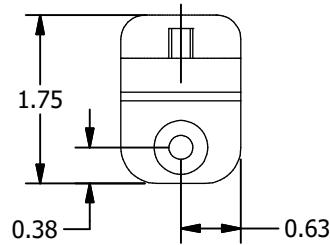
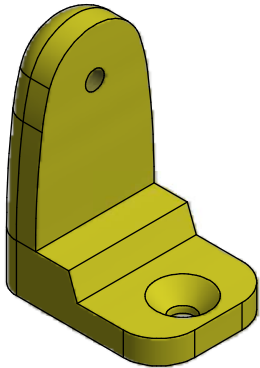


## CPFL1

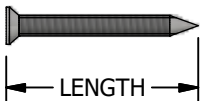


## CPFL3

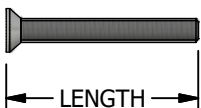


### FASTENER OPTIONS FOR CPFL1 & CPFL3:

SPECIFY TOTAL  
COUNTER THICKNESS: \_\_\_\_\_ in.

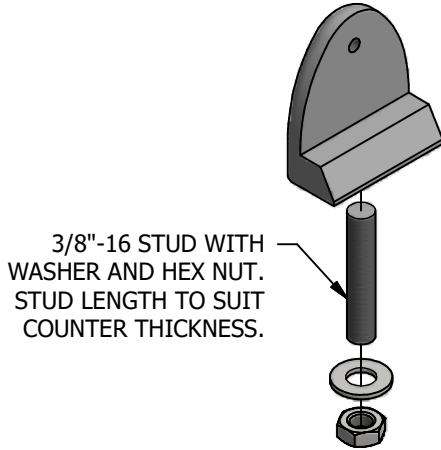


- FLAT HEAD STAINLESS STEEL SHEET METAL SCREW, #12 - TYPE A
  - 1-1/4"     2"     2-1/2"



- FLAT HEAD STAINLESS STEEL MACHINE SCREW, 1/4" - 20 NC
  - 1"     1-1/4"     2"
- INCLUDE HEX NUT AND FLAT WASHER FOR MACHINE SCREW

### CPFL2

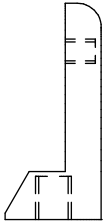
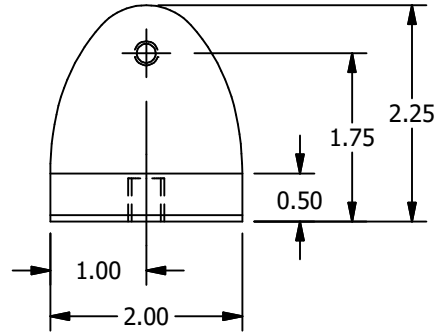
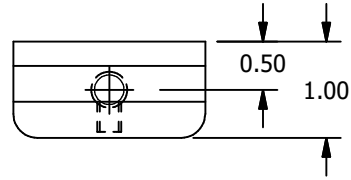


3/8"-16 STUD WITH  
WASHER AND HEX NUT.  
STUD LENGTH TO SUIT  
COUNTER THICKNESS.

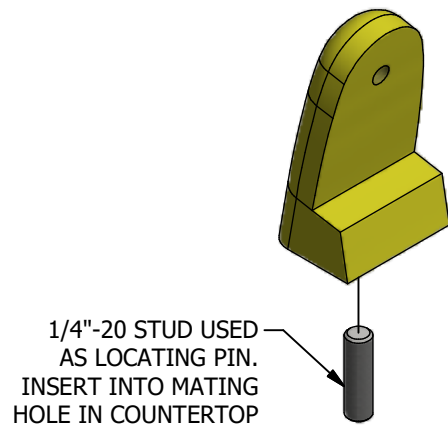
**REQUIRES ACCESS  
BELOW COUNTER**

**SPECIFY TOTAL  
COUNTER THICKNESS**

\_\_\_\_\_ in.



### CPFL4



1/4"-20 STUD USED  
AS LOCATING PIN.  
INSERT INTO MATING  
HOLE IN COUNTERTOP

