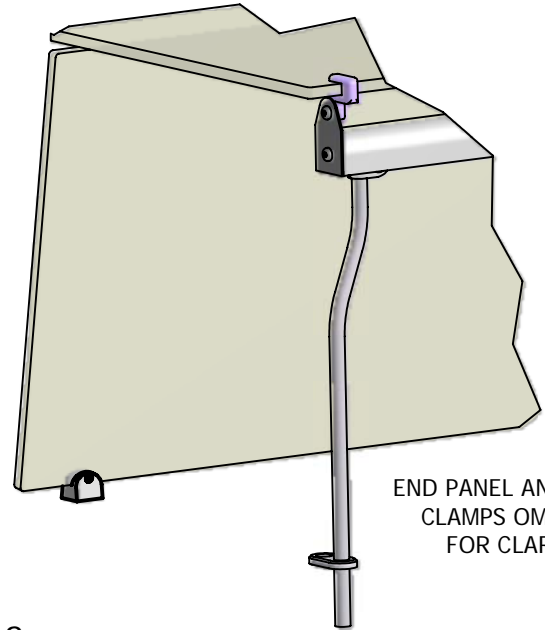
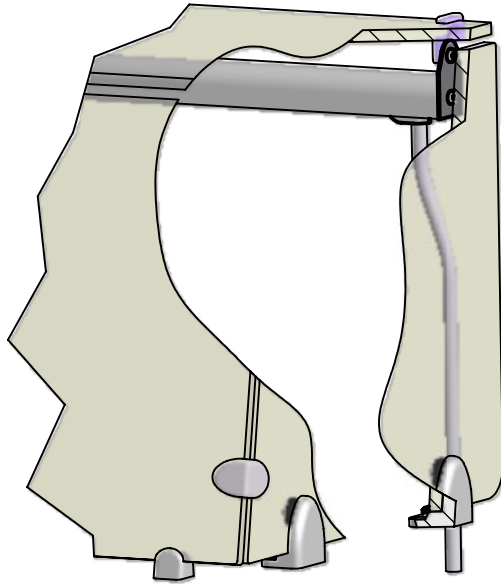


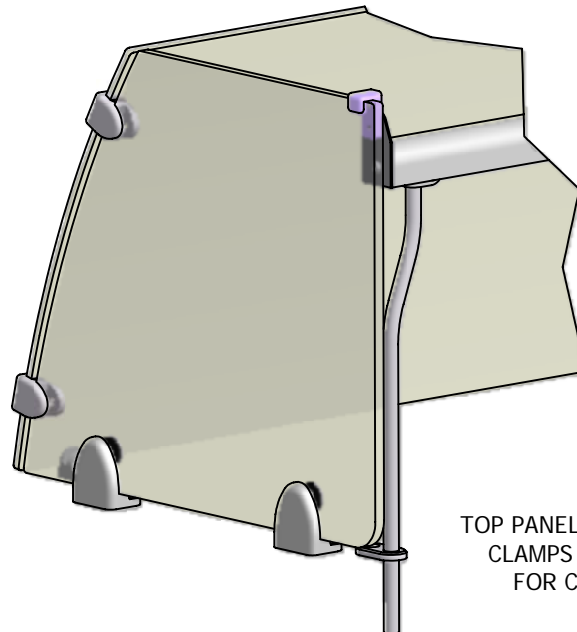
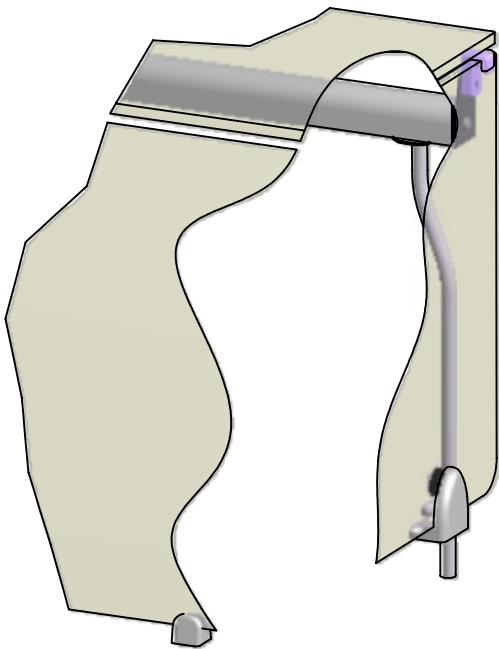
### LIGHT KIT -A-



END PANEL AND GLASS  
CLAMPS OMITTED  
FOR CLARITY

FOR MODELS:  
VGCP6S, VGCP6C, VGCP7

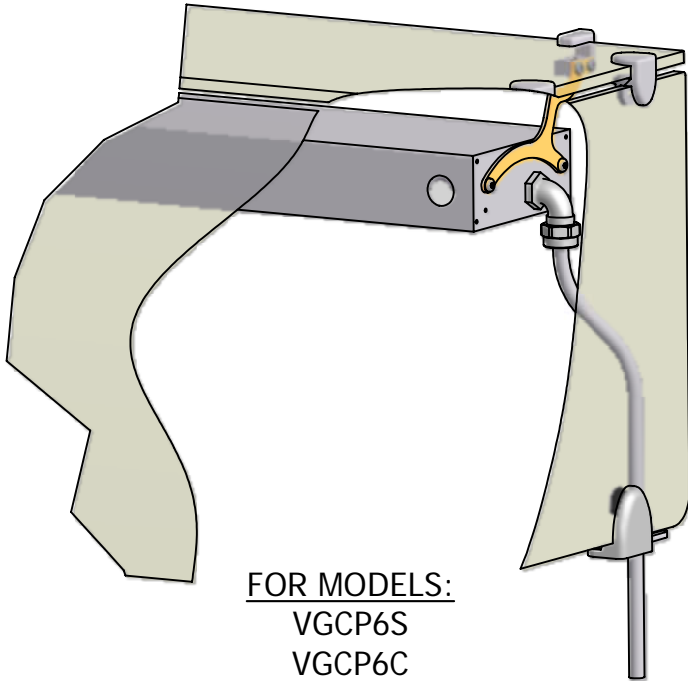
### LIGHT KIT -B-



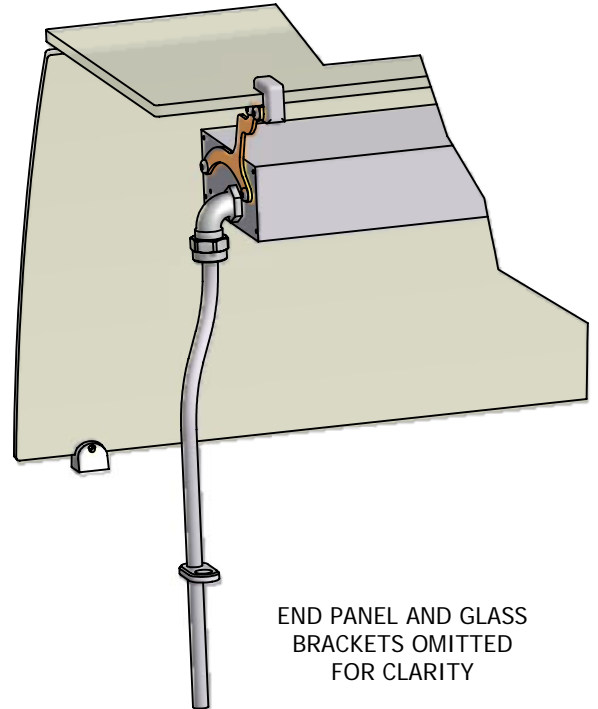
TOP PANEL AND GLASS  
CLAMPS OMITTED  
FOR CLARITY

FOR MODELS:  
VGCP6S, VGCP6C, VGCP7, VGCP7C

### WARMER KIT -A-

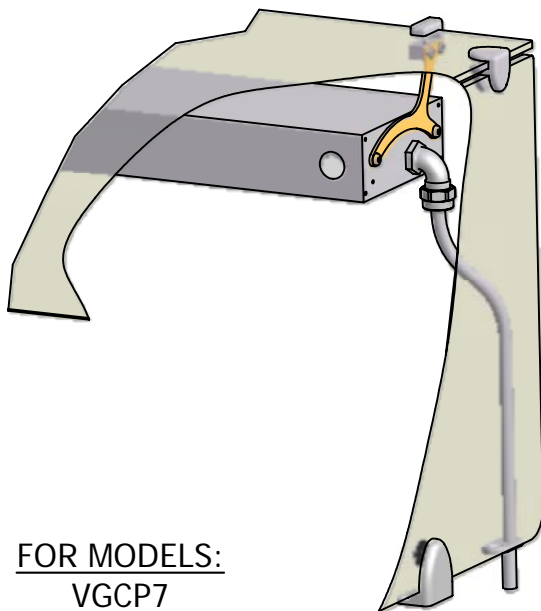


FOR MODELS:  
VGCP6S  
VGCP6C

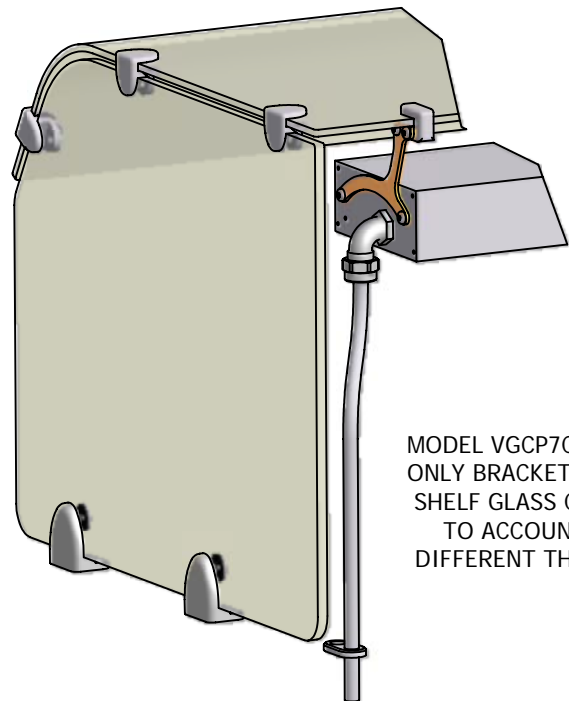


END PANEL AND GLASS  
BRACKETS OMITTED  
FOR CLARITY

### WARMER KIT -B-



FOR MODELS:  
VGCP7  
VGCP7C



MODEL VGCP7C SHOWN.  
ONLY BRACKET FOR TOP  
SHELF GLASS CHANGES  
TO ACCOUNT FOR  
DIFFERENT THICKNESS