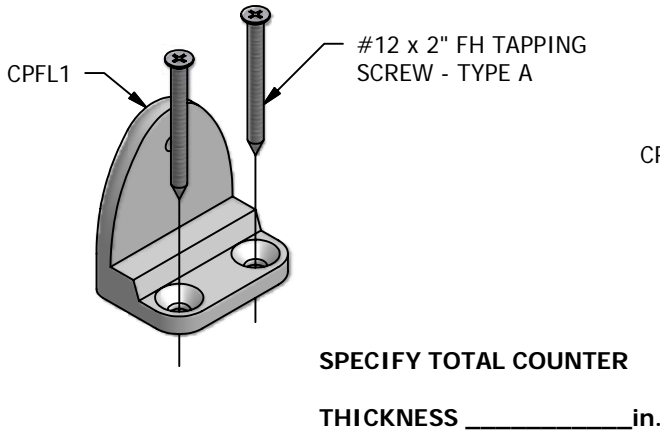


## SURFACE MOUNT

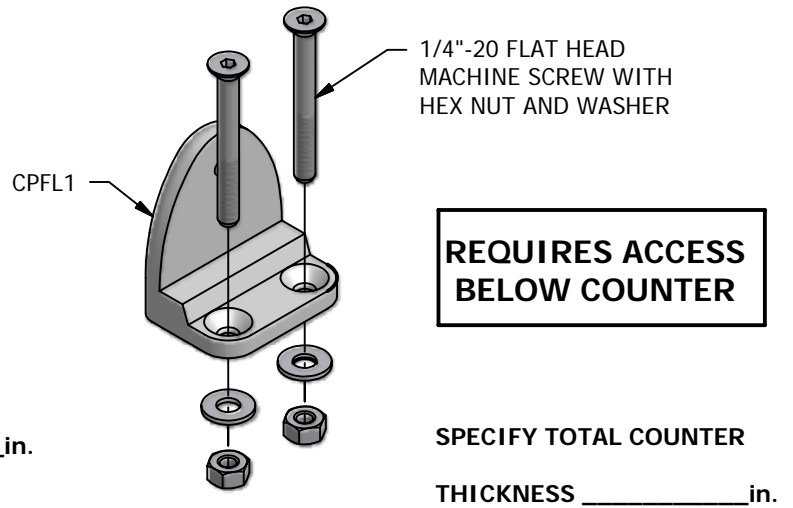
1

- LAMINATE
- SURFACES W/ WOOD UNDERLAY



2A

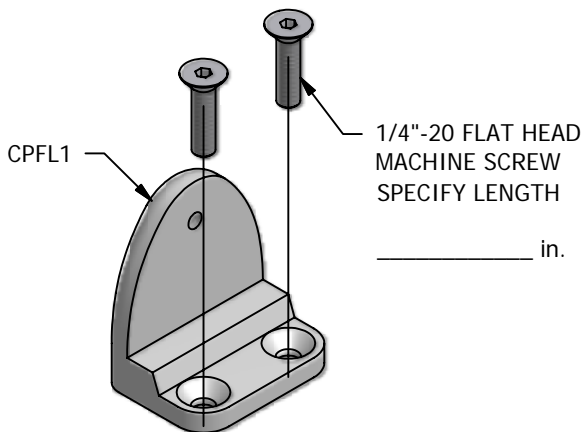
- LAMINATE
- SURFACES W/ WOOD UNDERLAY
- GRANITE / MARBLE



2B

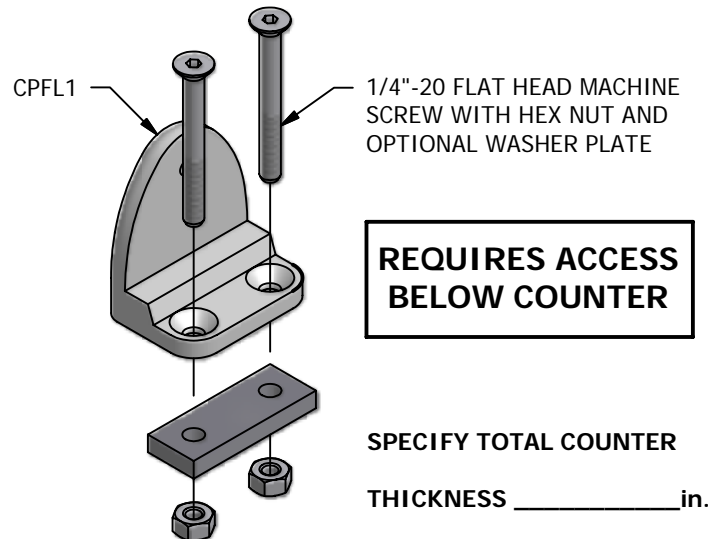
- STAINLESS STEEL SURFACE

(DRILL AND TAP SURFACE FOR 1/4"-20 MACHINE SCREW)

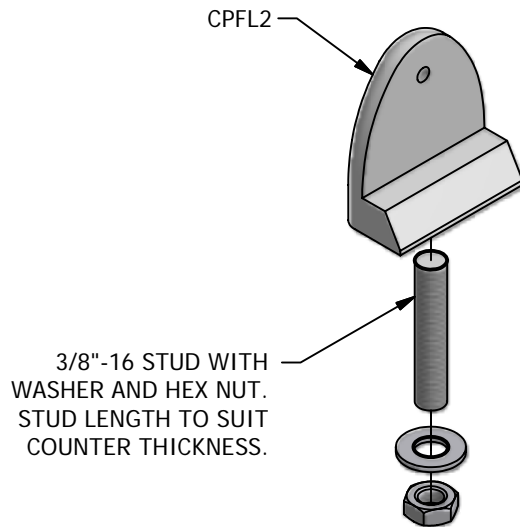


3

- LAMINATE
- SURFACES W/ WOOD UNDERLAY
- GRANITE / MARBLE
- STAINLESS STEEL



## CONCEAL MOUNT



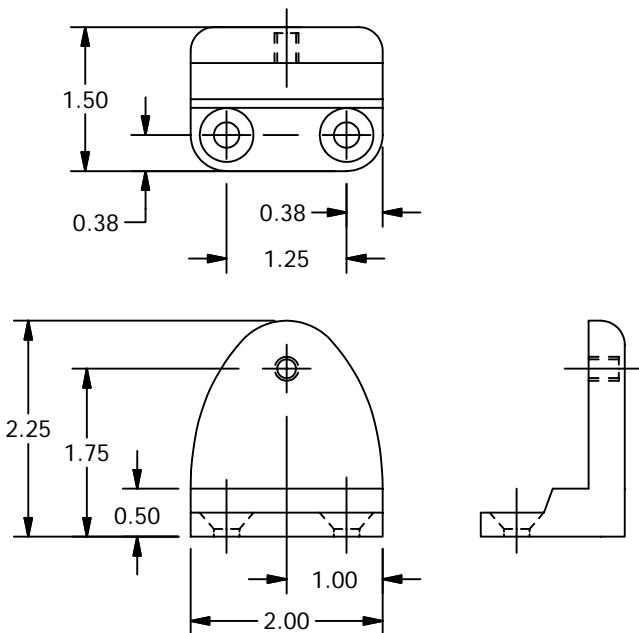
**REQUIRES ACCESS BELOW COUNTER**

**SPECIFY TOTAL COUNTER THICKNESS**

\_\_\_\_\_ in.

3/8"-16 STUD WITH WASHER AND HEX NUT. STUD LENGTH TO SUIT COUNTER THICKNESS.

**CPFL1**  
SURFACE MOUNT FLANGE



**CPFL2**  
CONCEAL MOUNT FLANGE

